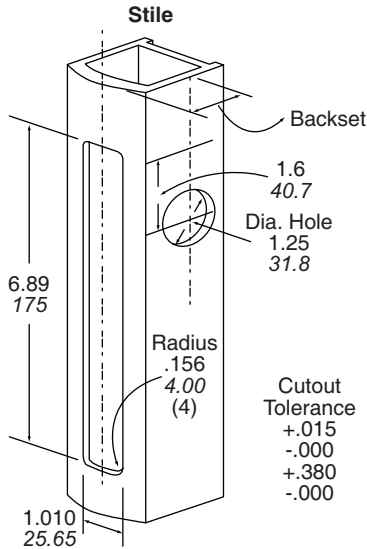


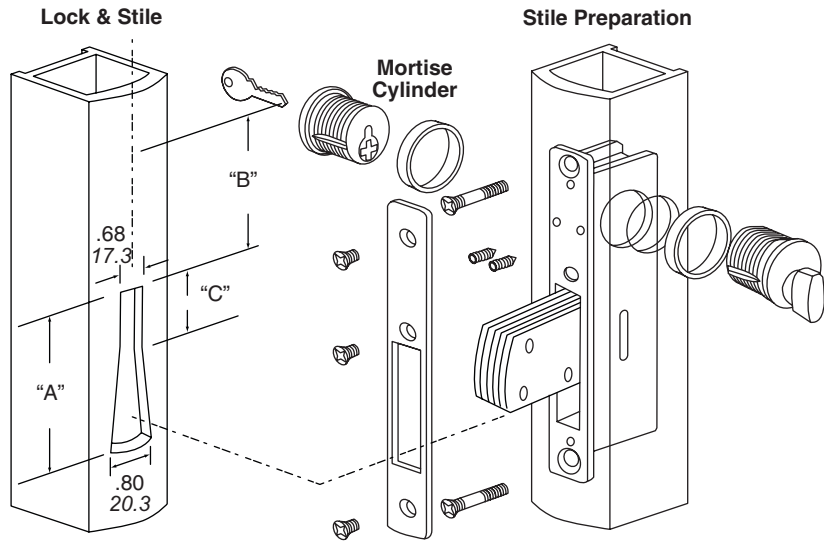
INSTALLATION

Door and Frame Installation



DIMENSIONS

Inches
Millimeters

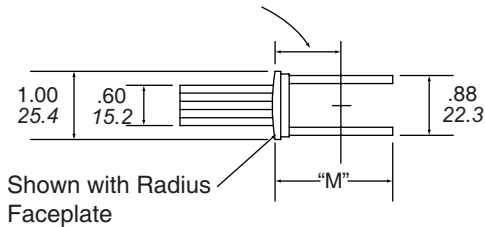


Bolt Type	"A"	"B"	"C"
Regular Bolt	3.38" (85.85)	1.38" (35.05)	1.00" (25.40)
Hook Bolt	1.94" (49.28)	2.19" (55.63)	.25" (6.55)

DIMENSIONS

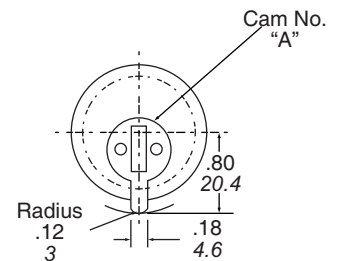
Inches
Millimeters

Backset must be measured
at center line of Stile Nose



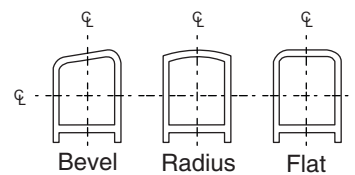
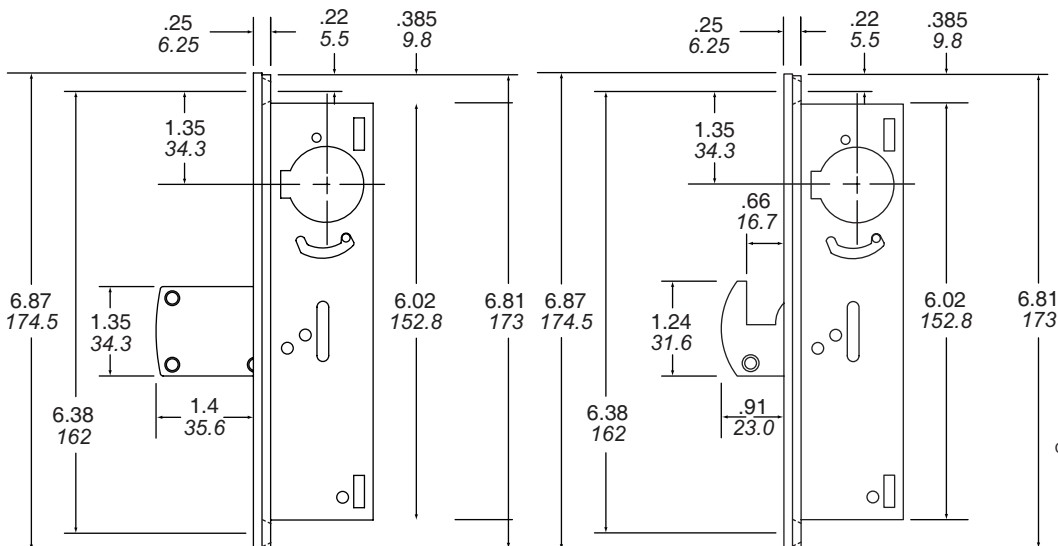
Backset	"M"
31/32"	1.63"
24.6	41.4
1-1/8"	1.79"
28.6	45.5
1-1/2"	2.14"
38.1	54.36

Cylinder Cam



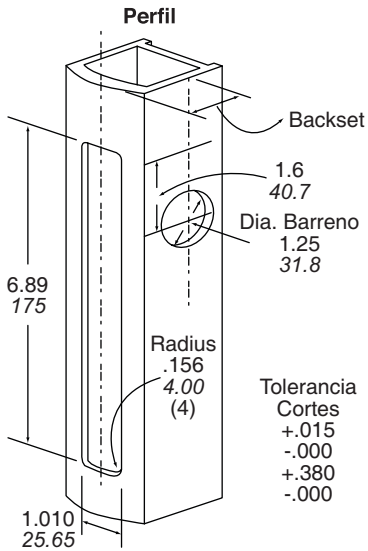
Cam $\pm .005$
Tolerance $\pm .13$

These locks are operable
by any standard 1-5/32"
diameter mortise cylinder
with cam dimensions as
shown.



INSTALACIÓN

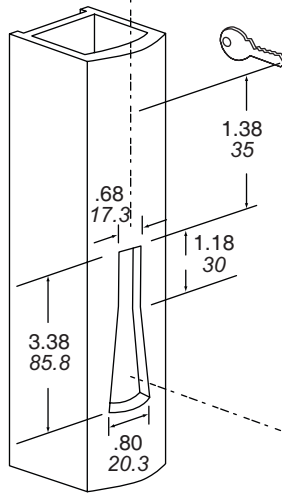
Marcos y puertas



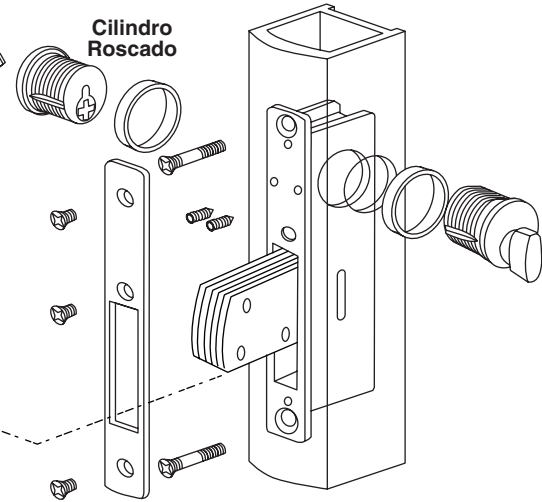
DIMENSIONES

Pulgadas
Milímetros

Cerradura y Perfil



Preparación Perfil

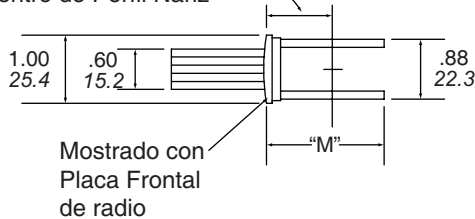


Bolt Type	"A"	"B"	"C"
Cerojo	3.38" (85.85)	1.38" (35.05)	1.00" (25.40)
Gsncho	1.94" (49.28)	2.19" (55.63)	.25" (6.55)

DIMENSIONES

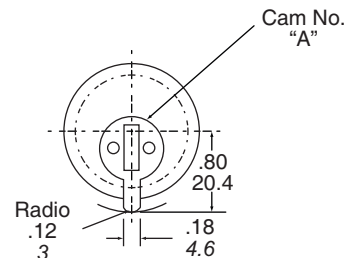
Pulgadas
Milímetros

Backset se medirá en el centro de Perfil Nariz



Backset	"M"
31/32"	1.63"
24.6	41.4
1-1/8"	1.79"
28.6	45.5
1-1/2"	2.14"
38.1	54.36

Leva del Cilindro



Tolerancia de Leva ± .005 ± .13

Estas cerraduras funcionan con cualquier cilindro roscado standard de 1-5/32" con leva con las dimensiones como se muestra.

