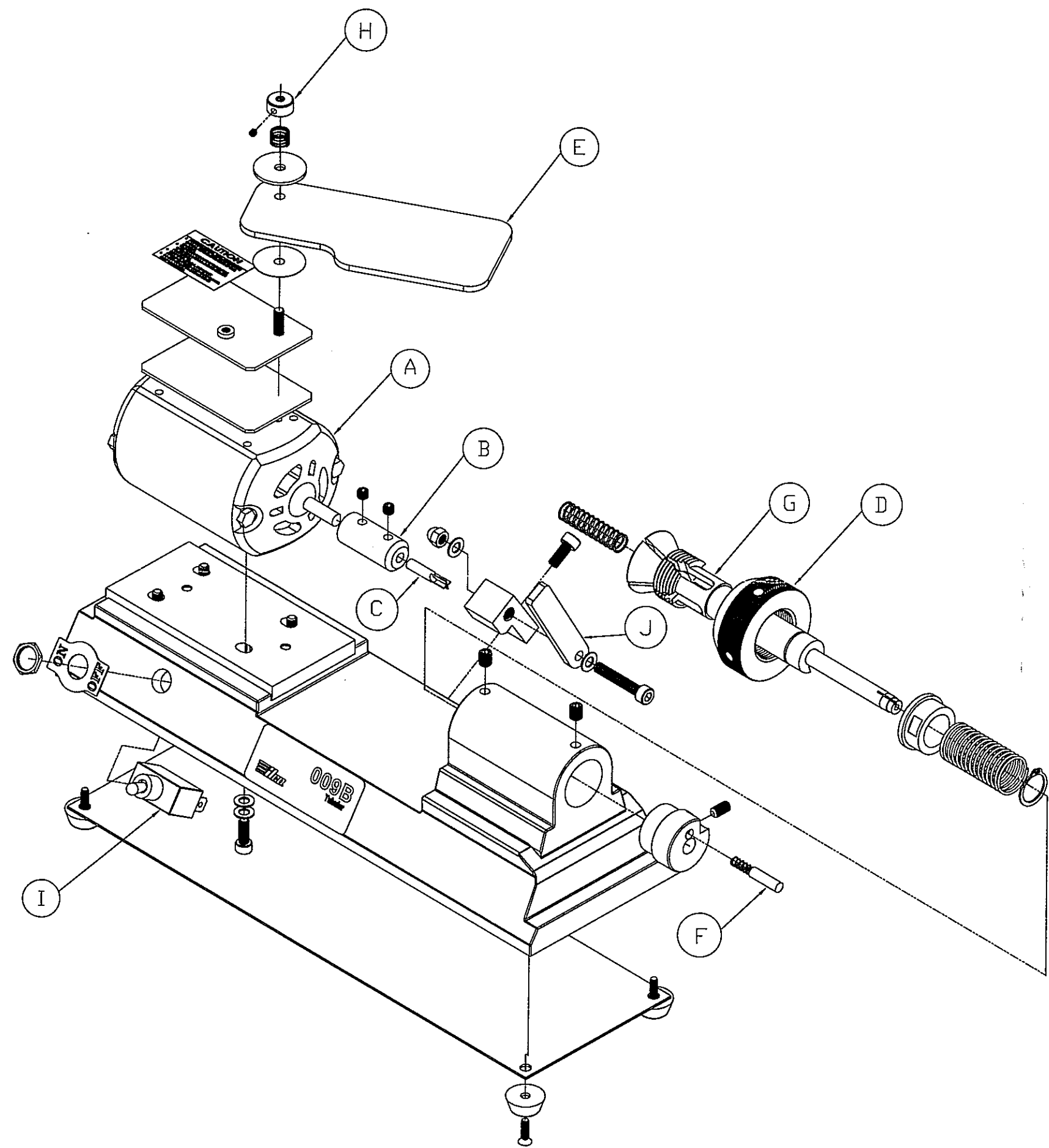



REV.	ECN#/DATE	APP.
	REL. ECN #	



ITEM NO.	PURCHASE CODE	ITEM CODE	ITEM DESCRIPTION
-	132880	BD0713XXXX	009B 2.5mm ALLEN WRENCH
			30113 (009B 2.5mm ALLEN WRENCH)
-	132877	BD0710XXXX	009B SHIELD BASE
			30110 (009B SHIELD BASE)
-	132879	BD0712XXXX	009B CLOSING BAR
			30108 (009B CLOSING BAR)
J	132878	BD0711XXXX	009B KEY GAUGE
			30109 (009B KEY GAUGE)
I	132869	BD0702XXXX	009B POWER SWITCH
			30107 (009B POWER SWITCH)
H	132876	BD0709XXXX	009B SHIELD KNOB
			30112 (009B SHIELD KNOB)
G	132871	BD0704XXXX	009B MAIN SHAFT
			30102 (009B MAIN SHAFT)
F	132870	BD0703XXXX	009B GUIDE
			30101 (009B GUIDE)
E	132872	BD0705XXXX	009B CLEAR SHIELD
			30111 (009B CLEAR SHIELD)
D	132875	BD0708XXXX	009B CLOSING NUT
			30103 (009B CLOSING NUT)
C	132874	BC0506XXXX	16TW CUTTER
			30104 (16TW CUTTER)
B	132873	BD0706XXXX	009B CUTTER ADAPTER
			30105 (009B CUTTER ADAPTER)
A	132868	BD0701XXXX	009B MOTOR ASSY. (110V-AC)
			30106 (009B 110V-AC) MOTOR ASSY.

PROPRIETARY RIGHTS OF KABA ILCO CORP. ARE INVOLVED IN THE SUBJECT MATTER OF THIS MATERIAL AND ALL MANUFACTURING, REPRODUCTION, USE AND SALES RIGHTS PERTAINING TO SUCH SUBJECT MATTER ARE EXPRESSLY RESERVED. IT IS SUBMITTED IN CONFIDENCE FOR A SPECIFIED PURPOSE, AND THE RECIPIENT BY ACCEPTING THIS MATERIAL AGREES THAT THIS MATERIAL WILL NOT BE USED, COPIED OR REPRODUCED IN WHOLE OR IN PART NOR ITS CONTENTS REVEALED IN ANY MANNER TO ANY PERSON EXCEPT TO MEET THE PURPOSE FOR WHICH IT WAS DELIVERED.

 Kaba Ilco Corp. Rocky Mount, N.C.		MATERIAL:	009B KEY MACHINE
		FINISH:	INSTRUCTION MANUAL SPARE PARTS
DR. T. CLARK	DATE: 12-07-11	SCALE: NTS	SHEET OF 1 1
		CODE No.	DWG No. 009B-4000