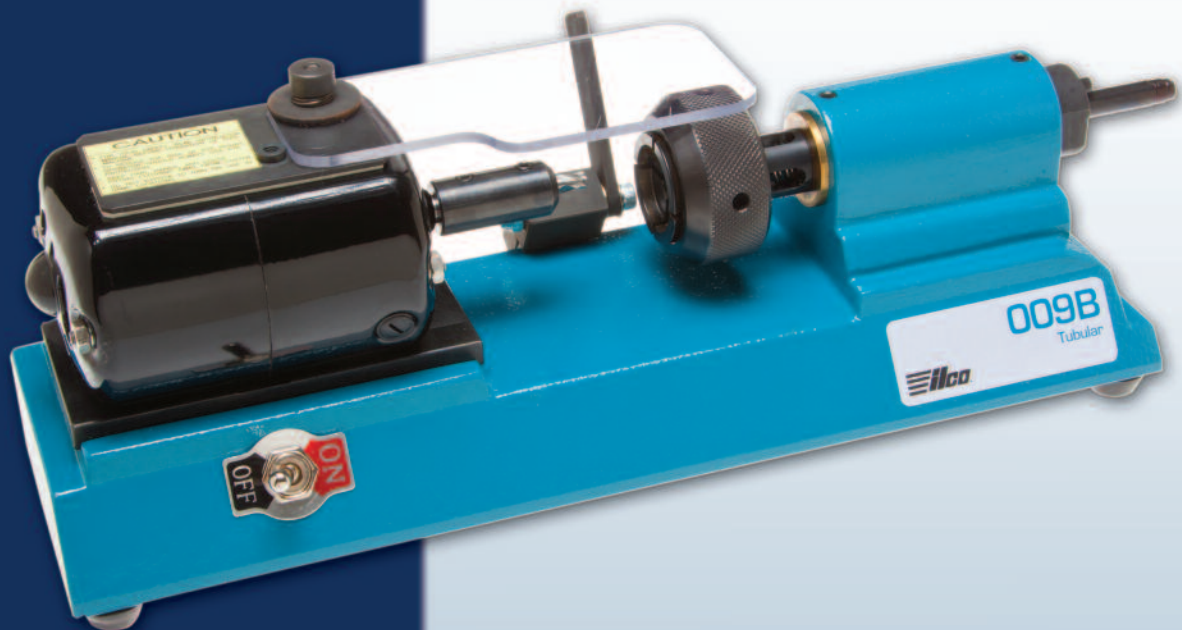


Key Machines

009B Tubular Key Duplicator



The 009B is an economical solution for duplicating standard tubular keys. It is easy to set up, simple to operate and provides accurate duplicates in just seconds.

The  to your success



A member of the Kaba Group
www.kaba-ilco.com

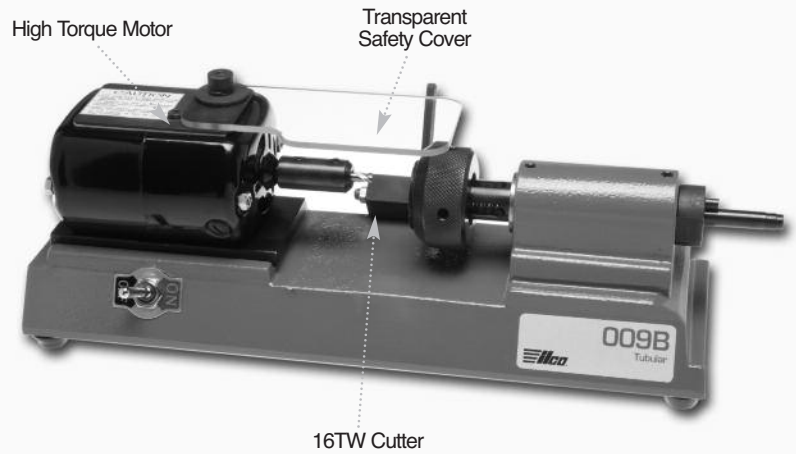
009B Tubular Key Duplicator

With the popularity of tubular security keys, the 009B key machine makes the perfect addition to your key cutting services.

The 009B is simple to operate. It features a unique key positioning device to assure quick, accurate gauging of the key blank.

- **Designed to duplicate "mid size" 7 and 8 cut* tubular keys.**
- **Transparent cover offers protection and clear visibility during the cutting process**
- **Simple to operate and provides accurate duplicating results**
- **Durable high torque motor**
- **Solidly constructed for lasting performance**

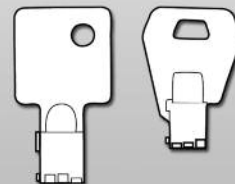
** Not intended for cutting steel key blanks.*



Specifications:

Motor:	110V-AC
Cutter:	16TW End Mill
Dimensions:	14"W x 4.25" D x 4.25" H (35.6cm x 10.8cm x 10.8cm)
Weight:	8 lbs. (3.62kg)

**Duplicates "Mid Size" Tubular Keys
(7 and 8 cut)**



Kaba Ilco Corp.
400 Jeffreys Road · Rocky Mount, NC 27804
Phone 800.334.1381 · Fax 252.446.4702
www.kaba-ilco.com

Form No. 3032/0910